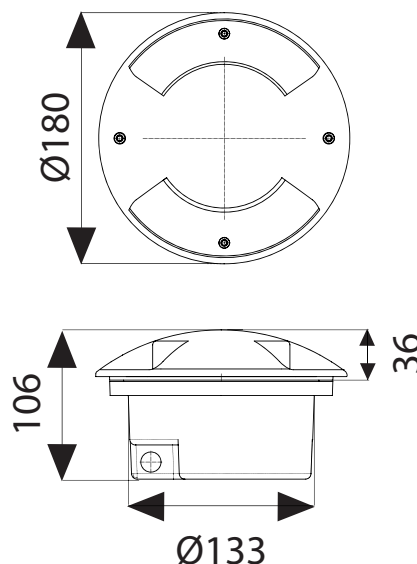
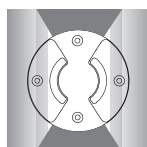


# BL-5024



**BL-5024.14X**  
Lamp: QT14  
Power: 75W  
Base: G9

**BL-5024.92X**  
Lamp: TC-D  
Power: 10W  
Base: Gx24 d-1



**BL-5024.60X**  
Lamp: T2  
Power: 6W  
Base: Gx53

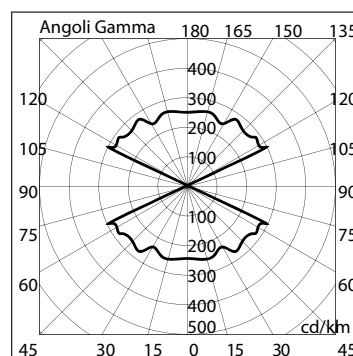
**BL-5024.68X**  
Lamp: 60 LED  
Power: 4W  
Base: Gx53

**BL-5024.88X**  
Lamp: 1 LED  
Power: 4.1W  
LED: 230lm 6300K

### Available Colours:

X=3 Black    X=9 Anthracite  
X=4 Silver

- Outdoor recessed driveover ground luminaire
- Painted die-cast aluminium body
- Transparent tempered glass diffuser
- Aluminium reflector
- Silicon gasket
- Stainless steel screws
- Polypropylene holder
- Painting using high resistance to UV and corrosion polyester powders



5024 14

