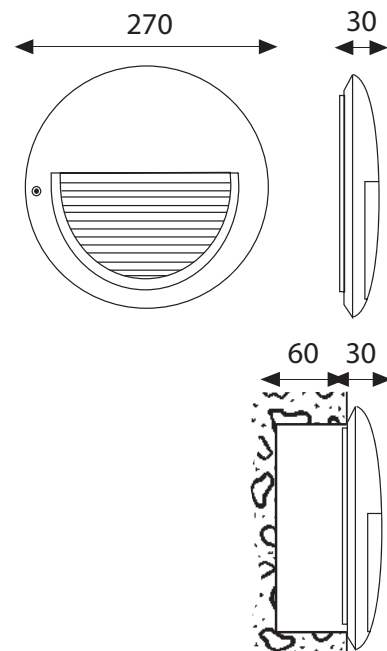


# BL-4815.96X



## BL-4815.96X



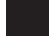

Lamp: TC-D

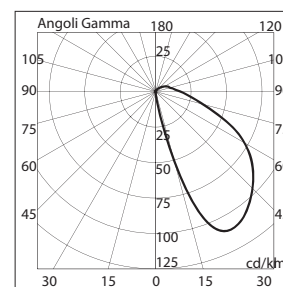
Power: 18W

Base: G24 d-2

- Recessed wall luminaire
- Die-cast painted aluminium body
- Satin tempered glass or polycarbonate diffuser
- Aluminium reflector
- EPDM gaskets
- Technopolymer wall holder
- Stainless steel screws
- Painting using high resistance to UV and corrosion polyester powders

## Colours

- X=2  White    X=9  Anthracite  
X=3  Black    X=4  Silver



4815 96



**Domus Lighting**

29-31 Richland Street Kingsgrove NSW 2208

Phone: (02) 9554 9600 | Fax: (02) 9554 9433 | Email: sales@domuslighting.com