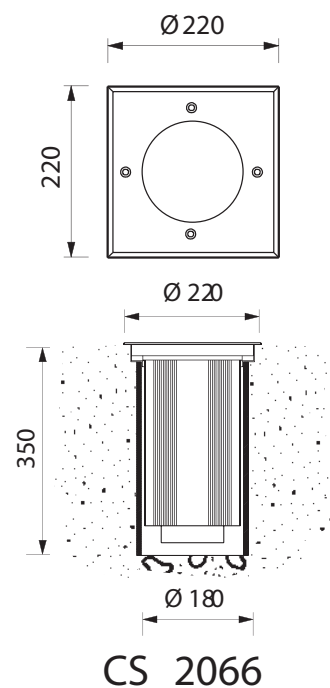


BL-2261



BL-2261.070

Lamp: QR111

Power: 75W

Base: G53

- Outdoor recessed ground luminaire
- Painted die-cast aluminium structure
- Stainless steel AISI 316
- Die-cast aluminium diffuser grid (on request)
- Transparent diffuser
- Aluminium reflector
- Silicon gaskets
- Stainless steel screws
- Polypropylene holder
- Painting using high resistance to UV and corrosion polyester powders



Domus Lighting

29-31 Richland Street Kingsgrove NSW 2208

Phone: (02) 9554 9600 | Fax: (02) 9554 9433 | Email: sales@domuslighting.com