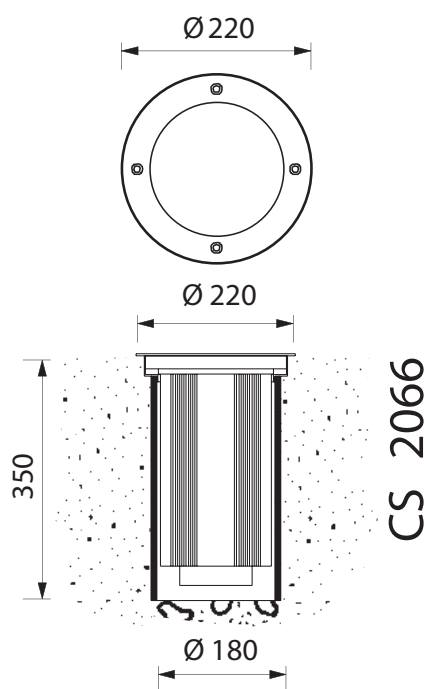


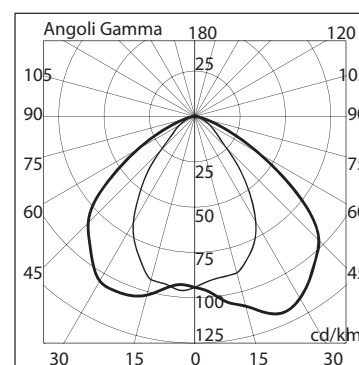
BL-2062



BL-2062.710

Lamp: HME
Power: 80W
Base: E27

- Outdoor recessed ground luminaire
- Painted die-cast aluminium structure
- Stainless steel AISI 316 (available in round or square shape) or die-cast aluminium ring
- Die-cast aluminium diffuser grid (on request)
- Transparent or satin glass diffuser
- Aluminium reflector
- Silicon gaskets
- Stainless steel screws
- Polypropylene holder
- Painting using high resistance to UV and corrosion polyester powders



2062 71



Domus Lighting

29-31 Richland Street Kingsgrove NSW 2208

Phone: (02) 9554 9600 | Fax: (02) 9554 9433 | Email: sales@domuslighting.com