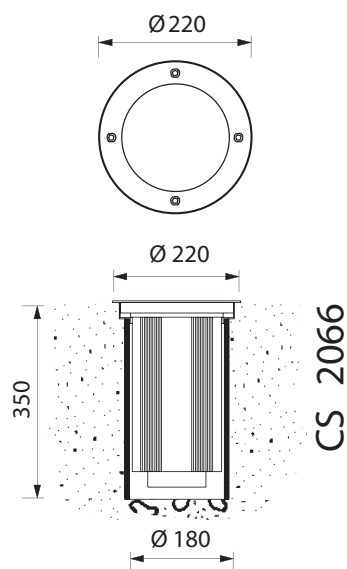


# BL-2061






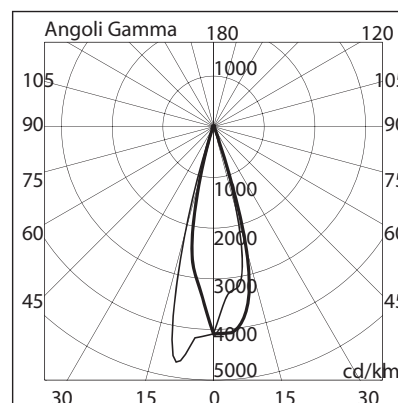
## BL-2061.070

Lamp: QR111  
Power: 75W  
Base: G53

- Outdoor recessed ground luminaire
- Painted die-cast aluminium structure
- Stainless steel AISI 316 (available in round or square shape) or die-cast aluminium ring
- Die-cast aluminium diffuser grid (on request)
- Transparent or satin glass diffuser
- Aluminium reflector
- Silicon gaskets
- Stainless steel screws
- Polypropylene holder
- Painting using high resistance to UV and corrosion polyester powders

## Colours

Χ=3  Black    Χ=4  Silver  
Χ=9  Anthracite



2061 07



**Domus Lighting**

29-31 Richland Street Kingsgrove NSW 2208

Phone: (02) 9554 9600 | Fax: (02) 9554 9433 | Email: sales@domuslighting.com