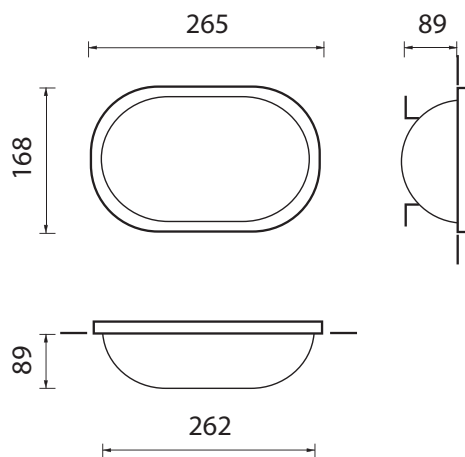


BL-1097



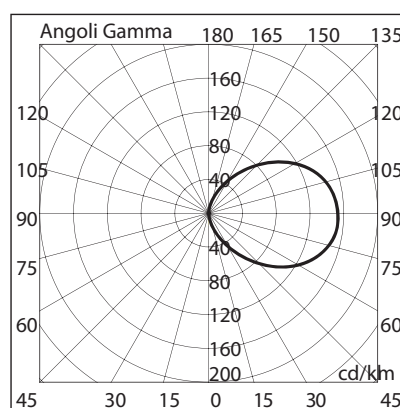
BL-1097.00X

Lamp: A60
Power: 60W
Base: E27

Available Colours:

X=2 White X=3 Black

- Recessed wall luminaire
- Die-cast aluminium body and ring
- Satin tempered glass diffuser
- EPDM gasket for Gamma Big and silicon gasket for
- Technopolymer wall holder
- Stainless steel screws
- Painting using high resistance to UV and corrosion polyester powders



1097 00



Domus Lighting

29-31 Richland Street Kingsgrove NSW 2208

Phone: (02) 9554 9600 | Fax: (02) 9554 9433 | Email: sales@domuslighting.com