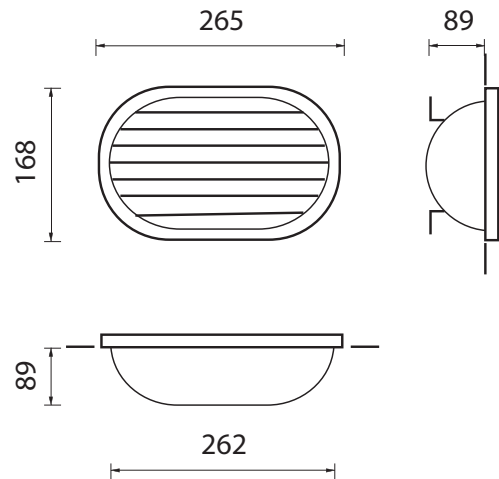


# BL-1096



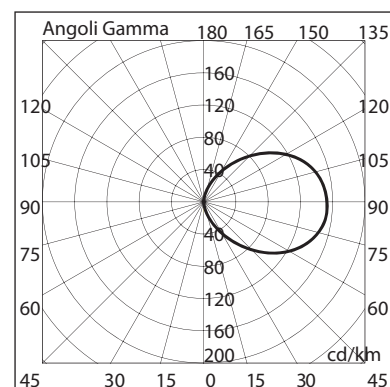
**BL-1096.00X**

Lamp: A60  
Power: 60W  
Base: E27

**Available Colours:**

X=2  White X=3  Black

- Recessed wall luminaire
- Die-cast aluminium body and ring
- Satin tempered glass diffuser
- EPDM gasket for Gamma Big and silicon gasket for
- Technopolymer wall holder
- Stainless steel screws
- Painting using high resistance to UV and corrosion polyester powders



1096 00



**Domus Lighting**

29-31 Richland Street Kingsgrove NSW 2208  
Phone: (02) 9554 9600 | Fax: (02) 9554 9433 | Email: sales@domuslighting.com

