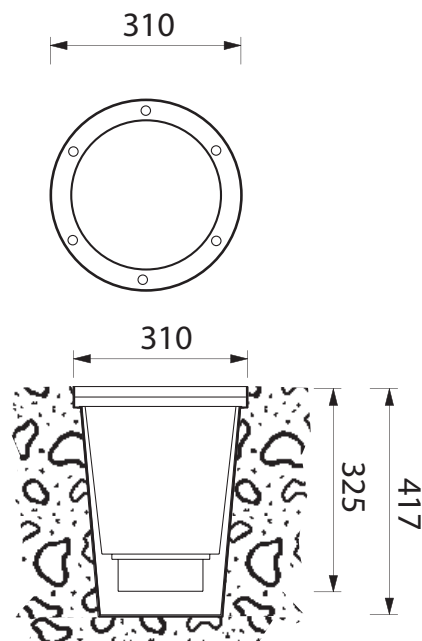


BL-1079



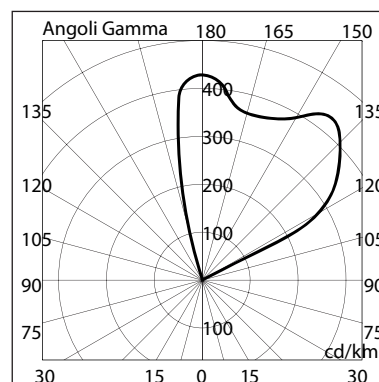
BL-1079.720

Lamp: HIT-DE

Power: 150W

Base: Rx7s

- Outdoor recessed ground luminaire
- Painted die-cast aluminium structure
- Stainless steel AISI 316
- Die-cast aluminium diffuser grid (on request)
- Transparent glass diffuser
- Aluminium asymmetrical reflector
- Silicon gaskets
- Stainless steel screws
- Technopolymer holder
- Painting using high resistance to UV and corrosion polyester powders



1079 72



Domus Lighting

29-31 Richland Street Kingsgrove NSW 2208

Phone: (02) 9554 9600 | Fax: (02) 9554 9433 | Email: sales@domuslighting.com