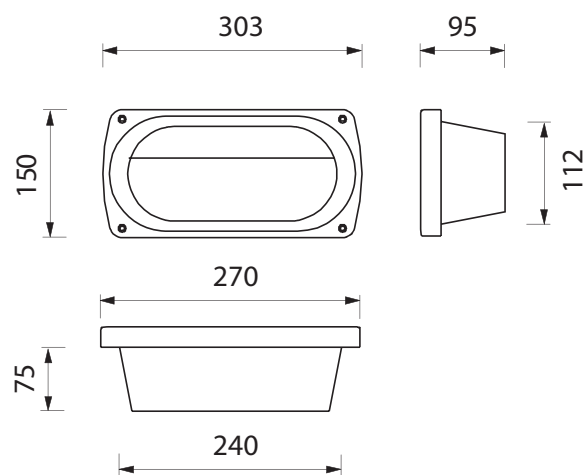


# BL-1038



### BL-1038.00X

Lamp: A60  
Power: 60W  
Base: E27

### BL-1038.96X

Lamp: TC-D  
Power: 18W  
Base: G24 d-2

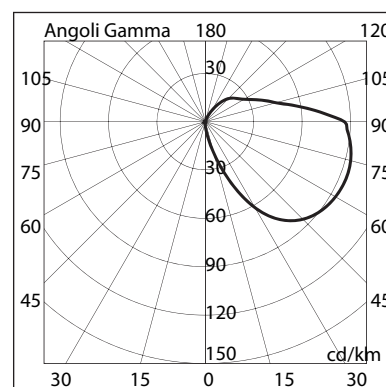
### BL-1038.95X

Lamp: TC-D  
Power: 26W  
Base: G24 d-3

### Colours

X=2 White    X=9 Anthracite  
X=3 Black    X=4 Silver

- Recessed wall luminaire
- Die-cast aluminium structure
- Satin tempered glass diffuser
- Technopolymer wall holder
- Stainless steel screws
- Painting using high resistance to UV and corrosion polyester powders



1038 95



### Domus Lighting

29-31 Richland Street Kingsgrove NSW 2208

Phone: (02) 9554 9600 | Fax: (02) 9554 9433 | Email: sales@domuslighting.com