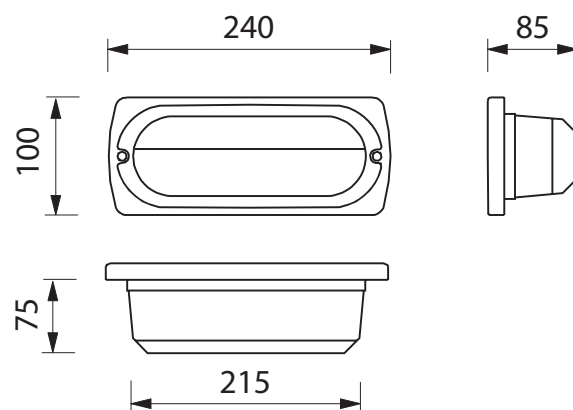


BL-1037



BL-1037.00X

Lamp: C35
Power: 40W
Base: E14

BL-1037.91X

Lamp: TC
Power: 9W
Base: G23

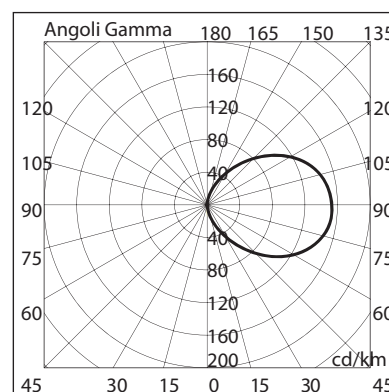
BL-1037.88X

Lamp: 2 x White LED
Power: 8.2W
LED: 460lm 6300K

Colours

X=2 White X=9 Anthracite
X=3 Black X=4 Silver

- Recessed wall luminaire
- Die-cast aluminium structure
- Satin tempered glass diffuser
- Silicon gasket for Flash Mini and EPDM gasket
- Technopolymer wall holder
- Stainless steel screws
- Painting using high resistance to UV and corrosion polyester powders



1037 00



Domus Lighting

29-31 Richland Street Kingsgrove NSW 2208

Phone: (02) 9554 9600 | Fax: (02) 9554 9433 | Email: sales@domuslighting.com

