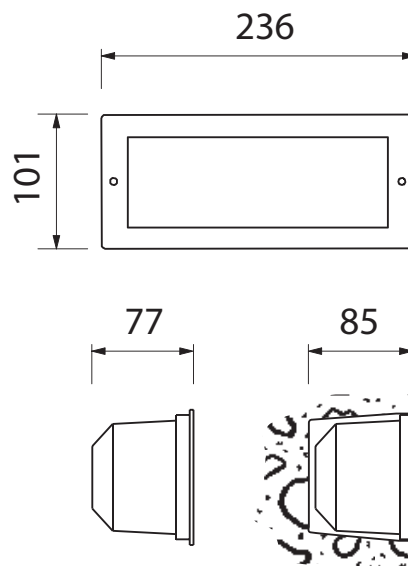
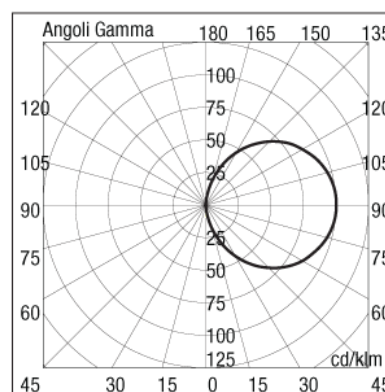


BL-1015



BL-1015.000	BL-1015.910	BL-1015.880
Lamp: C35	Lamp: TC	Lamp: 2 x White LED
Power: 40W	Power: 9W	Power: 8.2W
Base: E14	Base: G23	Base: 460lm 6300K

- Indoor and outdoor recessed wall luminaire
- Die-cast aluminium structure
- Stainless steel cover AISI 316
- Tempered opal glass diffuser
- Silicon gaskets
- Technopolymer wall holder
- Stainless steel screws
- Painting using high resistance to UV and corrosion polyester powders



1015 00



Domus Lighting

29-31 Richland Street Kingsgrove NSW 2208

Phone: (02) 9554 9600 | Fax: (02) 9554 9433 | Email: sales@domuslighting.com