

atomⁱ

LED PORTABLE WORK LIGHT

35W PORTABLE WORK LIGHT

L6290



PRODUCT ASSEMBLED
DISTRIBUTED IN AUSTRALIA
BY ATOM LIGHTING

FEATURES

- Weatherproof IP54
- Robust design and easy to transport
- Fast to install with height-adjustable telescopic lock system
- Comes with a 2.5m flex cable and plug



IP RATING
IP54



COLOUR TEMPERATURE
Day Light



FINISH
Grey & Yellow

5
YEAR

WARRANTY
Five year warranty

Product Datasheet

Description

LUTEC - 35W LED Portable Work Light 2*1600lm 5000K

Finish



Grey + Yellow

Product Specification

LED Wattage	35W
Light Colour Options	Day Light (DL)
Lumen Output	3200lm
Colour Temperature	5000K
Warranty	5 Years
Weatherproof	Yes
IP Rating	IP54
Electrical Classification	Class II

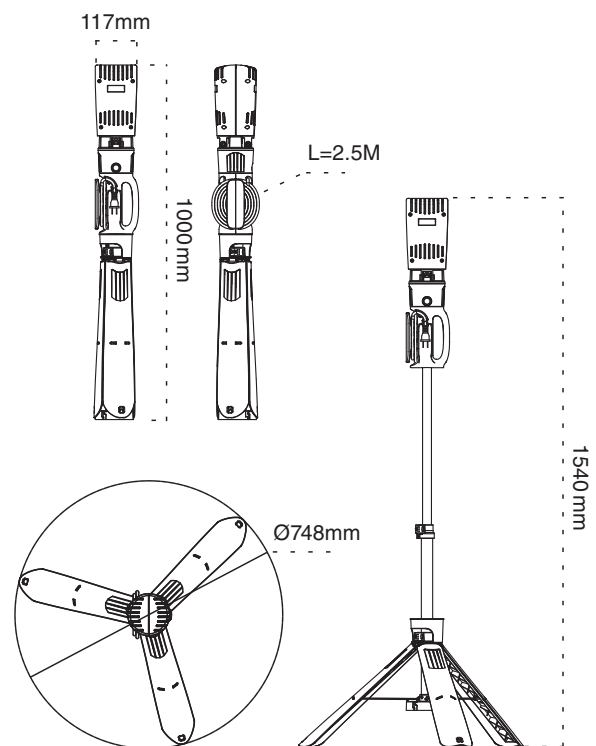
Product Range

Atom Code	Order Code	Finish
L6290	11066	Grey + Yellow

Dimensions

	Height	Width	Angle
35W	1540mm	117mm	214°

35W



Information is subject to change without prior notice