

atomⁱ

LED HIGHBAYS

150W IP65 LED Highbay with Philips LED Chip

AT9828



Features

- Ideal for industrial lighting applications
- Compact design with cold forged heatsink
- Premium long life high performance LED



Colour temperature

Daylight



IP Rating

IP65



Energy efficiency

130lm/W



Warranty

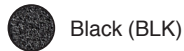
3 year warranty

Product datasheet

Description

150W LED Highbay IP65.

Finish



Black (BLK)

Product specification

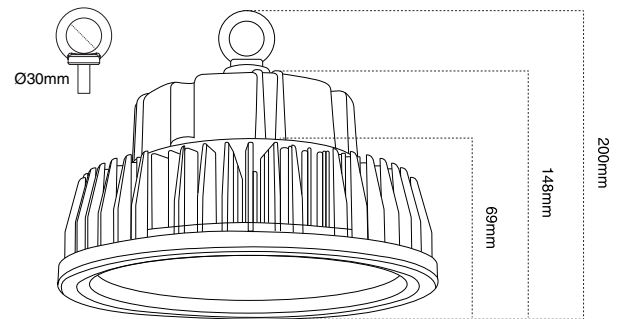
Voltage	230V~ 50Hz
Power consumption	150W
Light colour options	Daylight
Lumen output	19650lm
Colour temperature	5000K
Colour rendering index	>70
Dimmable	No
Warranty	3 Years
Working temperature	-30°C – 50°C
IP Rating	IP65

Product range

Code	SKU	Wattage
AT9828/150	14389	150W

Dimensions

Diameter	Height	Eye bolt
Ø240mm	200mm	Ø30mm



Illuminance cone

