

atomⁱ

INGROUND UPLIGHT

2W LED Exterior 12Vdc square and round face inground uplighter

AT9312 AND AT9313



Features

- Exterior decorative lighting for driveways, paths and gardens
- Supplied with additional inground canister
- Round or square surface



Colour options

Cool white, warm white and blue



Finish

Stainless steel marine grade 316L



IP Rating

IP67



Warranty


Three years

Product datasheet

Description

2W LED IP67 12Vdc square face inground uplighter.
2W LED IP67 12Vdc round face inground uplighter.

Finish

 Stainless Steel 316L

Product specification

Voltage	12Vdc		
Power consumption	2W		
Light colour options	Warm white	Cool white	Blue
Lumen output	25lm	25lm	-
Colour	3000K	4000K	-
Beam angle	120°		
Dimmable	No		
Warranty	3 Years		
Working temperature	-20°C – 40 °C		
IP Rating	IP67		
Electrical classification	Class III		

Product range

Code	Type	Colour
AT9312/WW	Square face	Warm white
AT9312/CW	Square face	Cool white
AT9312/BLU	Square face	Blue
AT9313/WW	Round face	Warm white
AT9313/CW	Round face	Cool white
AT9313/BLU	Round face	Blue

Compatible drivers*

Code	Description
AT-28000507	12VDC - 15W IP67 LED Driver
AT-28000508	12VDC - 35W IP67 LED Driver
AT-28000509	12VDC - 60W IP67 LED Driver
AT-28000510	12VDC - 100W IP67 LED Driver

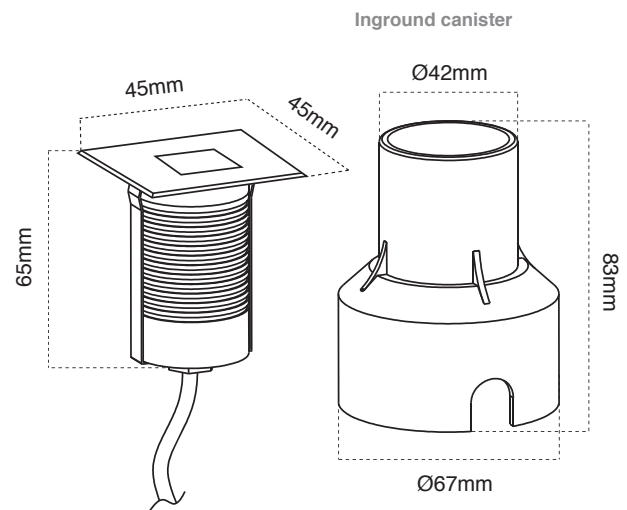
* Must use DC drivers. Sold separately.

Dimensions

AT9312	Width	Height	Cut out
Inground uplighter	45mm	65mm	Ø42mm
Inground canister	Ø42mm	83mm	Ø67mm

AT9313	Width	Height	Cut out
Inground uplighter	Ø45mm	65mm	Ø42mm
Inground canister	Ø42mm	83mm	Ø67mm

AT9312



AT9313

