

atomⁱ

LED DOWNLIGHT

10W LED Downlight - WiZ Connected Pro - Flush lens

AT4010/WH/WIZ/TR

> 16 Million
COLOURS 

> 64,000
WHITES 



Features

- Easy to install
- Supplied with WiZ Pro Connected Driver
- Access to WiZ Pro Smarthome platform



Colour temperature
RGB plus Tunable white



Connectivity
WiFi + Bluetooth



IP Rating
IP44



Warranty
3 Years

Product datasheet

Description

10W LED Downlight - WIZ Connected Pro - Colours + Adjustable White - White - Flush lens.

Finish

 White (WH)

Product specification

Voltage	200-240V~ 50/60Hz
Power consumption	10W
Light colour options	RGB (64,000 whites + 16 million colours)
Lumen output	815lm*
Colour temperature	3000K - 5700K + RGB
Colour rendering index	80
Beam angle	90°
Dimmable	Via the App or voice control
Warranty	3 Years
Working temperature range	-20 °C – 40 °C
IP Rating (Front face only)	IP44
IC Rating	IC-4
Electrical classification	Class II
Connectivity	WiFi + Bluetooth
Max. daily usage	12 Hours
Lifetime	>54,000 hours, reported

* Lumens expressed are measured at 4000K, cool white.

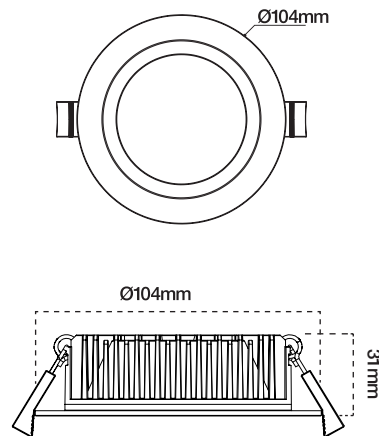
Product range

Code	Colour options	Finish
AT4010/WH/WIZ/TR	RGB(64,000 whites + 16 million colours)	White

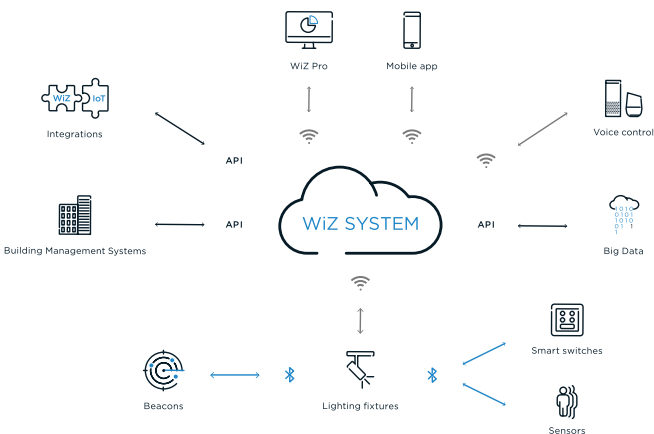
Dimensions

Code	Diameter	Height	Cut out
AT4010/WH/WIZ/TR	Ø104mm	31mm	Ø90mm

AT4010/WH/WIZ/TR



Cut out Ø90mm



WIZ Pro Enterprise Lighting Interface

- SET THE RULES AND SUPERVISE**
 Control multiple rooms and floors to use, pre-program, set Schedules and Scenes.
- PREDICTIVE MAINTENANCE**
 Each light reports its usage to the cloud. Lifespan can be calculated to proactively identify and replace fading lights.
- ENERGY USAGE MONITORING**
 Reports can be generated and exported based on each lamp's usage and energy consumption.
- BIG DATA**
 Data gathering on anything related to light usage, locations, users & time of day - all securely recorded on the cloud database.