

# AQL-910

## 50W Floodlight

### 24V DC

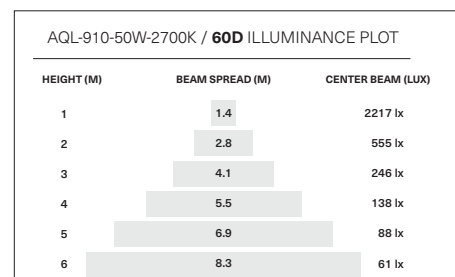
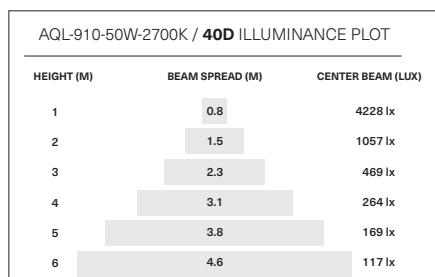
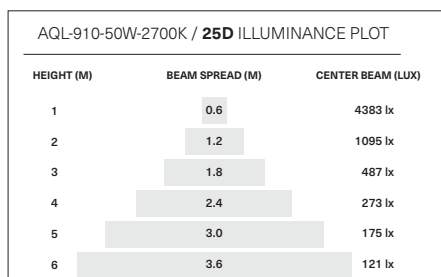
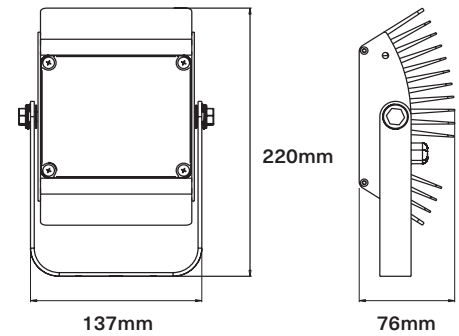


## TECHNICAL

Product Code	<b>AQL-910-50W</b>
Product Family	<b>Orion Architectural LED Flood</b>
Mounting	<b>U-Bracket / M6 Bolts</b>
Construction	<b>Extruded Aluminium / Thermal Enhancing Paint</b>
Electrical	<b>24V DC</b>
Power	<b>50W</b>
Cable	<b>900mm 2-Core</b>
IP Rating	<b>IP65</b>
Warranty	<b>3 Year Aqualux Warranty</b>

## CONFIGURE

Beam Spread	<b>25D / 40D / 60D</b>	
CCT	<b>2700K</b>	<b>2500lms</b>
	<b>5000K</b>	<b>3600lms</b>



**AQL-910**  
**100W Floodlight**  
**24V DC**



## TECHNICAL

Product Code	<b>AQL-910-100W</b>
Product Family	<b>Orion Architectural LED Flood</b>
Mounting	<b>U-Bracket / M6 Bolts</b>
Construction	<b>Extruded Aluminium / Thermal Enhancing Paint</b>
Electrical	<b>24V DC</b>
Power	<b>100W</b>
Cable	<b>900mm 2-Core</b>
IP Rating	<b>IP65</b>
Warranty	<b>3 Year Aqualux Warranty</b>

## CONFIGURE

Beam Spread	<b>25D / 40D / 60D</b>	
CCT	<b>2700K</b>	<b>5000lms</b>
	<b>5000K</b>	<b>7200lms</b>

