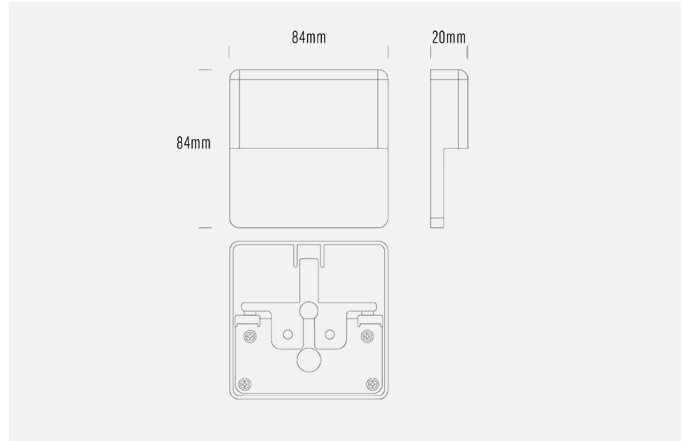


AQL-419

Slimline LED Steplight



INTRODUCTION

Note: From June 2025 previous models with driver code X and Y are being phased out and replaced with E004. This is a new dual CCT 2-wire dimmable light source.

SPECIFICATIONS

Product Code	AQL-419
Family	Hydra
Construction Material	Solid Cast Brass
Cable	500mm Fig 8 cable
IP Rating	IP65
Warranty	5 Year Aqualux Warranty

CONFIGURED OPTIONS

Variant Code	AQL-419-B2E002DWDCS
Body Colour	B2 - Black
Control Gear	24V DC 2-Wire
Rated Power	2W
Nominal Lumens	200 lm
CCT / Colour	Dual CCT 27K/30K
Optical	DC
CRI	90
Other	500mm 2-Core Standard Cable
Dimming	2-Wire PWM Power

