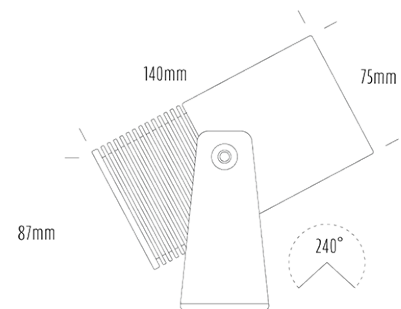


Spotlight



SPECIFICATIONS

Product Code	AQL-180
Family	LumenaPro
Construction Material	CNC Machined Aluminium
IP Rating	IP67
Warranty	5 Year Aqualux Warranty

CONFIGURED OPTIONS

Variant Code	AQL-180-A2B0253010Q
Body Colour	Dulux Black Ace 9069116F
Control Gear	24V DC
Rated Power	25W
Nominal Lumens	2500 lm
CCT / Colour	3000K / 1600mA
Optical	10
CRI	90
Other	AqualuxPLUS QuickConnect
Dimming	PWM 10V Dimming

INTRODUCTION

The AQL-180 is a high-output projector designed for architectural and commercial lighting applications. Available in White or RGBW options with advanced colour mixing optics, the AQL-180 is perfect for the dynamic RGB illumination of a variety of external facades and features.



1300 662 644
sales@aqualux.com.au