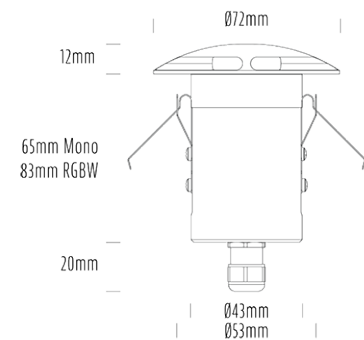


4-Way Runway Light



SPECIFICATIONS

Product Code	AQL-166
Family	Lumena
Construction Material	CNC Machined & Anodised Aluminium 6061
Cable	900mm Aqualux 2-Core Silicone / PTFE Cable
IP Rating	IP67
Warranty	5 Year Aqualux Warranty
Additional	RGBW option to be driven at 50% max total. Not rated for high-pressure cleaning.

CONFIGURED OPTIONS

Variant Code	AQL-166-A2X004GNDCQ
Body Colour	Dulux Black Ace 9069116F
Control Gear	12~24V AC / 24V DC
Rated Power	4W
Nominal Lumens	400 lm
CCT / Colour	Green / 300mA
Optical	DC
CRI	NA
Other	AqualuxPLUS QuickConnect
Dimming	Optional 10V PWM (DC)

INTRODUCTION

The AQL-166 is a compact, stylish recessed runway light with 360° spread.



1300 662 644
sales@aqualux.com.au