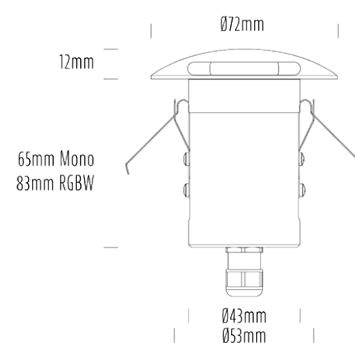


2-Way Runway Light



SPECIFICATIONS

| | |
|-----------------------|--|
| Product Code | AQL-164 |
| Family | Lumena |
| Construction Material | CNC Machined & Anodised Aluminium 6061 |
| Cable | 900mm Aqualux 2-Core Silicone / PTFE Cable |
| IP Rating | IP67 |
| Warranty | 5 Year Aqualux Warranty |

CONFIGURED OPTIONS

| | |
|----------------|------------------------------|
| Variant Code | AQL-164-A3X002RDDCQ |
| Body Colour | Dulux Medium Bronze 9068183K |
| Control Gear | 12~24V AC / 24V DC |
| Rated Power | 2W |
| Nominal Lumens | 140 lm |
| CCT / Colour | Red / 300mA |
| Optical | DC |
| CRI | 80 |
| Other | AqualuxPLUS QuickConnect |
| Dimming | Optional 10V PWM (DC) |

INTRODUCTION

The AQL-164 is a compact, stylish recessed runway light with two opposing 90° spread beams.



1300 662 644
sales@aqualux.com.au