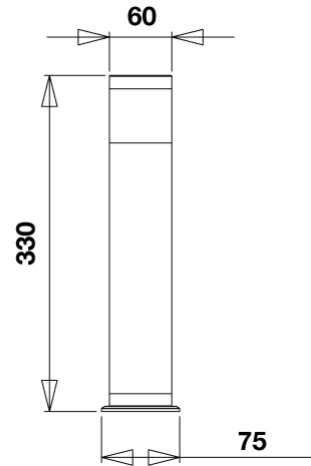


# AQL-131 Surface Mount Bollard



## CONFIGURED OPTIONS

<b>ORDER CODE</b>	AQL-131-SC-X12WDF
<b>FINISH OPTION</b>	Satin Chrome
<b>OPTICAL OPTION</b>	Diffuse (Frosted)
<b>LED OPTION</b>	X12 LED (550lmn)
<b>LED COLOR</b>	Warm White (3000K)

## SPECIFICATIONS

<b>PRODUCT CODE</b>	AQL-131
<b>FAMILY</b>	Lumena
<b>OPTIC OPTIONS</b>	Diffuse (Frosted)
<b>FINISH OPTIONS</b>	Satin Chrome, Matt Black
<b>LAMP OPTIONS</b>	X12 LED (550lmn)
<b>LED COLORS</b>	Warm White (3000K)
<b>CONSTRUCTION</b>	CNC Machined & Anodised Aluminium 6061
<b>CABLE</b>	900mm Aqualux 2-Core Silicone / PTFE Cable
<b>ELECTRICAL</b>	12V ~ 24V AC / 15V ~ 24V DC MultiSource Driver
<b>WARRANTY</b>	3 Year Construction, 3 Year Electrical
<b>IP RATING</b>	IP65
<b>NOTES</b>	