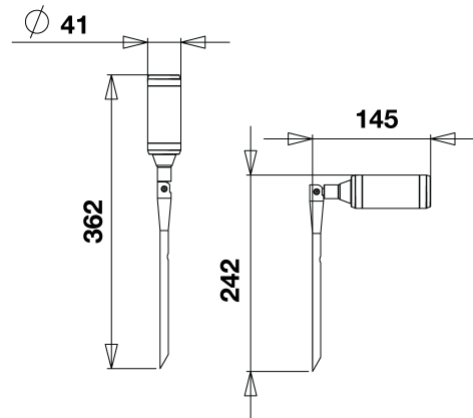


AQL-115 Adjustable Uplight



CONFIGURED OPTIONS

ORDER CODE	AQL-115-AB-X03WN
FINISH OPTION	Antique Bronze
OPTICAL OPTION	Narrow (10)
LED OPTION	X03 LED (300lmn)
LED COLOR	Warm White (3000K)

SPECIFICATIONS

PRODUCT CODE	AQL-115
FAMILY	Lumena
OPTIC OPTIONS	Narrow (10), Medium (25), Wide (40), Diffuse (Frosted)
FINISH OPTIONS	Antique Bronze, Satin Chrome, Matt Black, Gunmetal Grey
LAMP OPTIONS	X03 LED (300lmn), X12 LED (550lmn)
LED COLORS	Warm White (3000K), Cool White (5700K), Red, Green, Blue, Amber
CONSTRUCTION	CNC Machined & Anodised Aluminium 6061
CABLE	900mm Aqualux 2-Core Silicone / PTFE Cable, 1m Quick Connect Tail with Y-Adapter
ELECTRICAL	12V ~ 24V AC / 15V ~ 24V DC MultiSource Driver
WARRANTY	3 Year Construction, 3 Year Electrical
IP RATING	IP67
NOTES	