

Last modification 2024-04-26

LENORE EX170-BK
9329501068434



The Lenore Exterior Wall Light blends traditional charm with modern sophistication. Crafted from durable aluminium and glass, it comes in black and white finishes, adding timeless elegance to any outdoor space. Available in two sizes.

Overview

| | |
|--------------------|------------------|
| Family name | Lenore |
| Categories | Coach Lights |
| Mounting | Surface |
| Usage | Outdoor Lighting |

Color / Material

| | |
|-------------------------|------------------|
| Fixture Color | Black |
| Fixture Finish | Sand |
| Fixture Material | Aluminium, Glass |

Size

| | |
|--------------------------------|------|
| Fixture Width (cm) | 17.0 |
| Fixture Height (cm) | 30.5 |
| Fixture Projection (cm) | 20.5 |
| Canopy Projection (cm) | 2.2 |
| Canopy Width (cm) | 12.0 |
| Canopy Height | 17.5 |

Specification

| | |
|--------------------------------------|--|
| Voltage Input | 240V |
| Total Wattage (max) | 25 |
| Globe Type | E27 |
| Globe / Light Source qty | 1 |
| Globe / Light Source included | No |
| Electrical Protection | CLASS I - HIGH VOLTAGE, EARTH REQUIRED |
| IP rating | IP43 |
| Lead and Plug | No |
| Approvals | RCM |

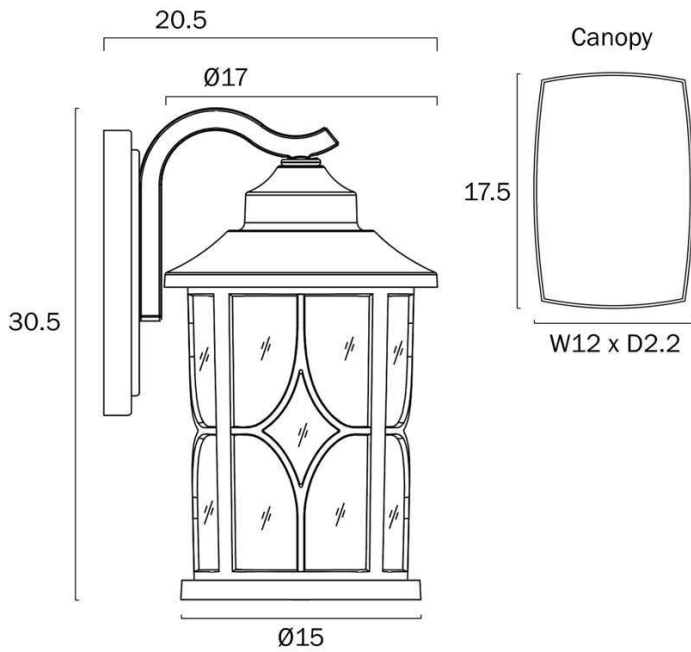
All representations within this document are subject to copyright. ELECTRICAL INSTALLATIONS MUST BE PERFORMED BY A QUALIFIED ELECTRICAL CONTRACTOR AND INSTALLED IN ACCORDANCE WITH AS/NZS 3000.
NOTE : All images , descriptions and dimensions are indicative. Please check latest version of item detail on Telbix website prior to ordering or installation.

| | |
|------------------------------|--|
| Installation Required | Yes (by Licensed Electrician only) |
| Care Instructions | Do not use strong liquid cleaners, Wipe clean with a dry cloth |
| Replacement Warranty | *3 Years |

Barcode

GTIN 9329501068434

Image -dimensions



Note: Dimensions are only a guide and may vary due to manufacturing variations.