

Last modification 2022-09-07

**ILLUME EX2-SL**  
**9329501043912**



## Overview

<b>Family name</b>	Illume
<b>Categories</b>	Flood Lights
<b>Mounting</b>	Surface
<b>Usage</b>	Outdoor Lighting,Trade Selection

## Color / Material

<b>Fixture Color</b>	Silver
<b>Fixture Material</b>	Polycarbonate
<b>Canopy Color</b>	Silver

## Size

<b>Fixture Length (cm)</b>	22.5
<b>Fixture Height (cm)</b>	12.1
<b>Fixture Projection (cm)</b>	18.5
<b>Base Diameter (cm)</b>	12.1

## Specification

<b>Voltage Input</b>	240V
<b>Wattage (max)</b>	20
<b>Wattage</b>	10
<b>Globe Type</b>	LED integrated SMD
<b>Globe / Light Source qty</b>	2
<b>Globe / Light Source included</b>	Yes
<b>Color Temperature</b>	Cool White
<b>Color Kelvin</b>	5000k
<b>Color Rendering</b>	>80
<b>Dimmable</b>	No
<b>Power Factor</b>	>0.90
<b>Surge Protection</b>	Yes (1.5 Kva)
<b>IP rating</b>	IP44
<b>Lead and Plug</b>	No
<b>Approvals</b>	RCM

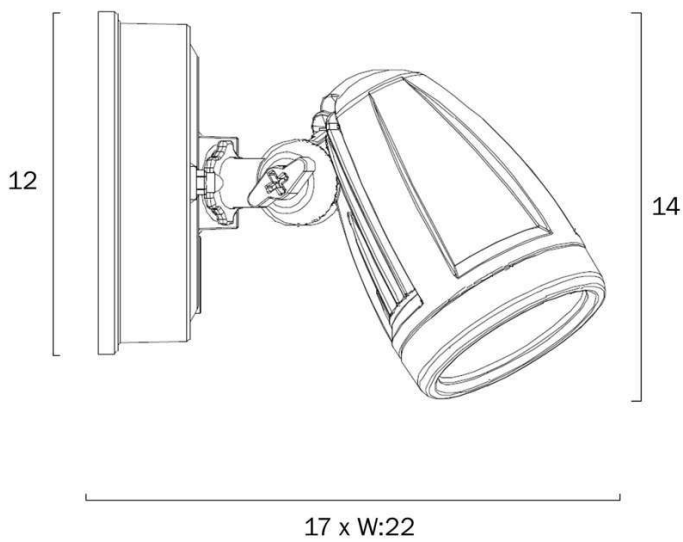
All representations within this document are subject to copyright. ELECTRICAL INSTALLATIONS MUST BE PERFORMED BY A QUALIFIED ELECTRICAL CONTRACTOR AND INSTALLED IN ACCORDANCE WITH AS/NZS 3000.  
NOTE : All images , descriptions and dimensions are indicative. Please check latest version of item detail on Telbix website prior to ordering or installation.

<b>Box Contents</b>	Basic mounting screws,Instruction
<b>Installation Required</b>	Yes (by Licensed Electrician only)
<b>Care Instructions</b>	Do not use strong liquid cleaners,Wipe clean with a dry cloth
<b>Warranty</b>	*3 Years

Barcode

**GTIN** 9329501043912

Image -dimensions



Note: Dimensions are only a guide and may vary due to manufacturing variations.

