

Exterior Sensors



PIR SENSOR



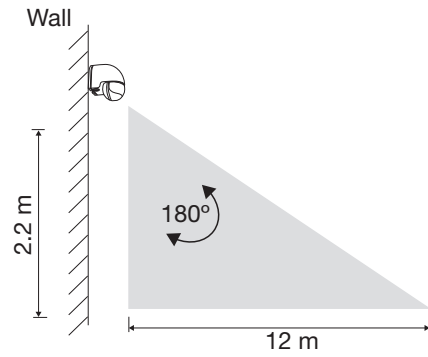
ND180-BL



ND180-WH

ND180

- 12 metre 180° exterior wall PIR motion detector
- Recommended mounting height 2.2m
- Adjustable sensor from left to right 120°, up and down 30°
- Adjustable time and lux settings
- Relay switched suitable for energy saver lamp technology
- 95mmH x 95mm Depth x 64mmW
- Max 1000 watt Incandescent
- Max 400 watt Fluorescent



PHOTOCELL SENSOR



ND100-BL



ND100-WH



ND100

- Photocell dusk to dawn sensor
- Automatic security and safety
- Will automatically turn lights on at night time and will switch lights off during the day
- Adjustable sensitivity between 1-10 Lux
- 10A relay
- 95mmH x 95mm Depth x 64mmW