

Equipoise™ Lamps



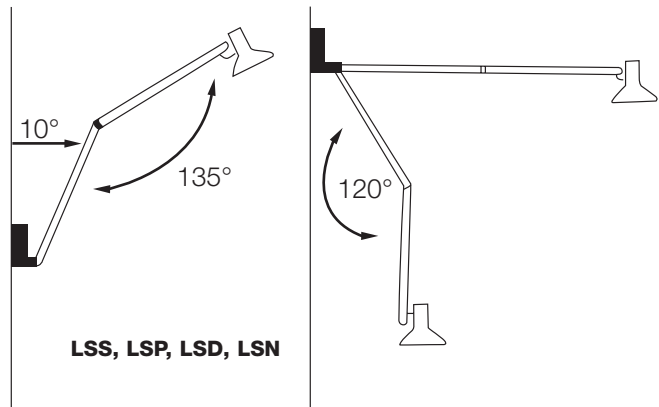
- Products on this page supplied in white paint finish
- All models are constructed with clinical frames, which allow maximum downward movement when mounted on wall or ceiling brackets
- For safety reasons do not install lamps in a position where they come in contact with a flammable material



MAX. 100W **B22**

LSD

- Equipoise shade 188mmØ



MAX. 150W **PAR 38**

MAX. 100W **GLS**

E27

LSP

- Suits PAR 38 lamps.
- Shade 135mmØ
- 1065mm reach

0.5m²

Lamp Included

GZ10

MAX. 50W

LSS

Halogen Inspection Lamp

- 50w 240 volts, dichroic bulb.
- Shade 108mmØ

