

Recessed Halogen



TILT



SDC-TLT-WH



SDC-TLT-GD



SDC-TLT-SC



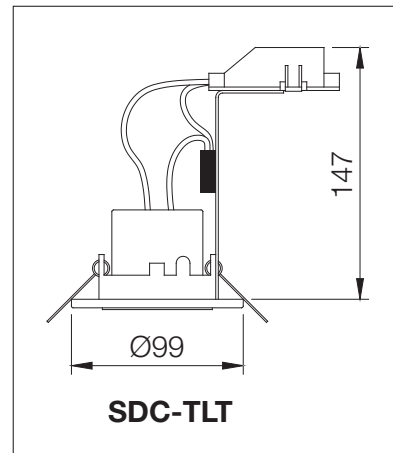
SDC-TLT-CR



SDC-TLT-BL

SDC-TLT

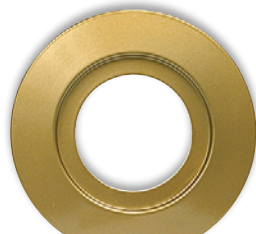
- 15° Tilt
- 99mm outside Ø
- Ceiling hole 80mmØ
- No transformer required
- Bulb not exposed in cavity
- No Transformer electromagnetic radiation
- Quick and easy installation
- GU10 lamp included
- Dimmable
- Complies with AS/NZS60598



OPTIONAL LARGE FLANGE FOR SDC MODELS



SDC-LFL-WH



SDC-LFL-GD



SDC-LFL-SC



SDC-LFL-CR



SDC-LFL-BL

SDC-LFL

- For use in ceiling hole sizes 90mmØ to 140mmØ.
- Flange overall 163mmØ