

Thermal cut-off SD125F Downlights

Barrier Not Required CA Price List p12

MAX 15W 30 MIN Lamp Included E27



THE ENERGY EFFICIENT DOWNLIGHT
ESPECIALLY DESIGNED FOR
SELF BALLASTED FLUORESCENT LAMPS
15 WATTS EFFICIENCY TAKEN TO AN
EXTREME 100WATTS ILLUMINANCE



SAFE CHANGE OVER



DEDICATED LAMP - GLS lamps will not fit into the SD125F.

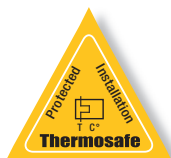
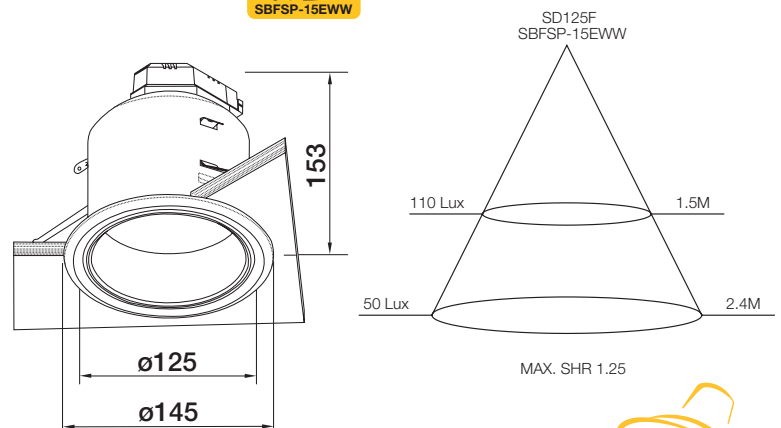
DEDICATED QUALITY - of light same output as GLS lamps and warm colour rendering.

DEDICATED REFLECTOR - is designed to optimise self ballasted lamp characteristics.

DEDICATED AESTHETICS - attractive low profile ceiling trim as well as a choice of other trim accessories.

DEDICATED COMPLETE SOLUTION - eliminates heat transfer inefficiencies in your home.

- 15watt self ballasted lamp included
- Lamp can be safely replaced, just twist out reflector allowing easy and safe access to grasp the back of the lamp .
- Not dimmable
- Moisture Transfer Classification - Closed. Sealed construction preventing access of insects and drafts through ceilings.
- Thermal Insulation Classification - Abutted. Ceiling insulated (zero rated) may be abutted up against the SD125F for maximum insulation effectiveness.
- **Fire rated to 30/30/30 minutes**
- Lamp not exposed in ceiling cavity.
- Thermal cut-off and auto reset function for protection against misuse and overloading.
- Complies with AS/NZS60598 electrical safety standard.
- 3 mounting clips to ensure optimum snug fit to ceiling.
- (RW) STC sound transmission rating.
- Replacement lamp.



superlux
we engineer light