

Closed R80 Reflector Downlight



SD100F-WH

Economy downlights with 13w energy saver reflector lamp

- Thermal cut-off and auto reset function for protection against misuse and overloading due to wrong lamp

- Lampholders can be prewired before assembly
- Designed for quicker installation
- Ceiling hole 105mm diameter
- Double insulated, no earth required
- Draft proof enclosed construction
- Suits a wide range of ceiling thicknesses
- Long life ceramic lamp holder
- Manufactured to AS/NZS60598 electrical standards

Acoustic rating

STC55 ceiling = Min. spacing of 1.6M

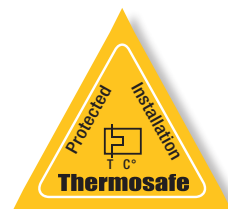
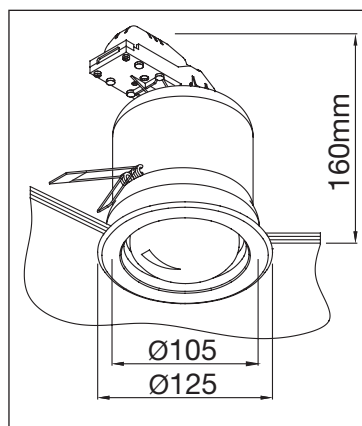
STC57 and 58 = Min. spacing of 2.5M



SD100F-WH

SD100F-SI

SD100F-SC



Photometrics 2m spacing	1.5m	2.4m
SBF80-13EWW	120 lux	60 lux