



PARK LIGHTS

SLDPLK18W-ZAP



18W LEDs
(Cool White)



3x 18.5Ah
Li-ion



25W Integrated
Polycrystalline



Dust & Water
Protection



Aluminium Alloy
Construction



1000 Lumens
at 1 metre



9W Insect
Eradicator

Park Light

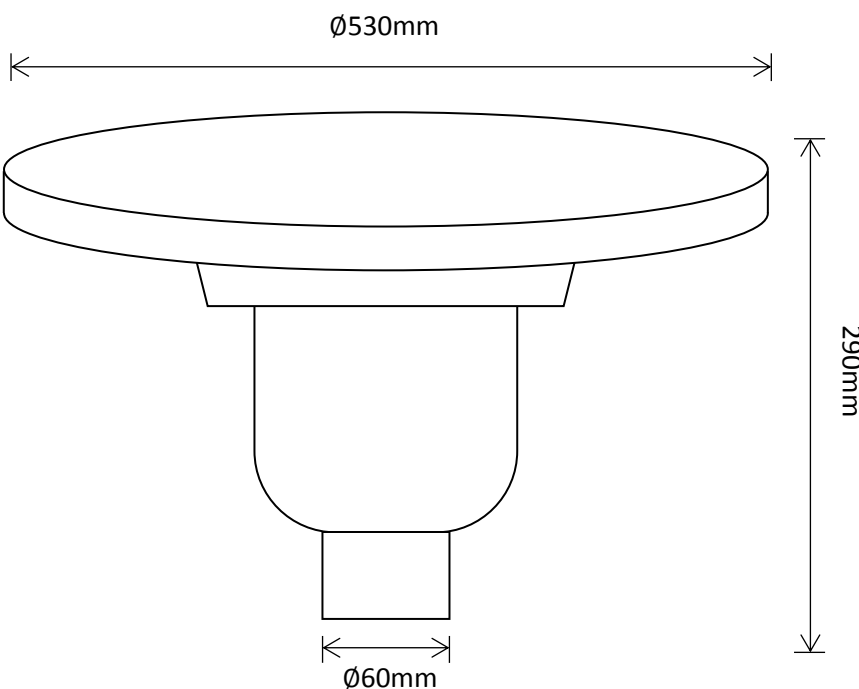
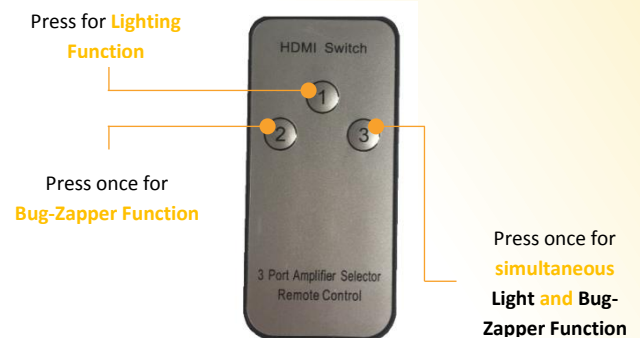


SLDPLK18W-ZAP

Features:

- 18w LED (Cool White)
- 9W Insect Eradicator
- RF Remote Control Operation
- Built-in MPPT Controller
- Built-In Rain Sensor with Memory Function
- Black P.C. Finish
- **2 Year Warranty!**

Post Not Included



ACCESSORY

SLDPOL-3.5
SLDPOL-5.0

3.5m & 5m
"Sectional"
Posts to suit
Park Lights

