

Multi-Purpose Light



12x SMD LEDs
@ 0.2w each
(Cool White)



3x 2000mAh
NiMH



2.5W Separated
Polycrystalline



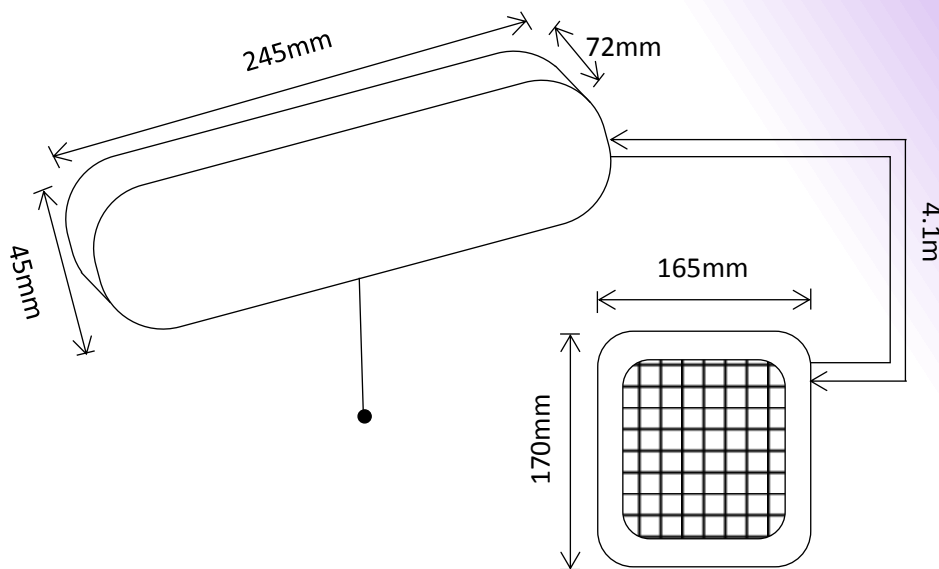
Dust & Water
Protection



Black ABS Resin
Construction



350 Lumens
at 1 metre



SLDMP0020-2.4W-BLK-PS

Features:

- "Plug and Play" Installation
- Pull Switch Operation
- 6-8 hours Operation per day
- 2 Brightness Settings
- Surface Mounted Adjustable Base
- Colour - Black
- **1 Year Warranty!**

