

30W RGB Flood Light



5730 SMD
LEDs



1x 7.4vDC
21Ah Li-Ion



Dust & Water
Protection



Die-Cast
Aluminium
Body



2250 Lumens
at 1 metre
(White Setting)



750 Lumens
at 1 metre
(Red, Green or
Blue Setting)

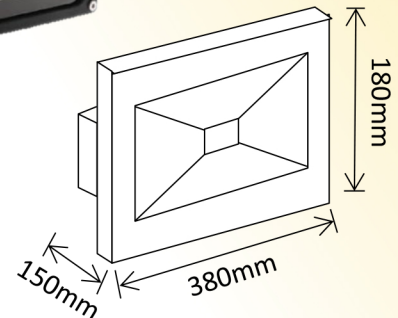


1500 Lumens
at 1 metre
(Cyan, Yellow or
Magenta Setting)

SLDFL30W-RGB

Features:

- "Plug and Play" Installation
- Built in Photo Electric Cell
- Pre-Set Colour Setting Options
 - Red, Green, Blue, Cyan, Yellow, Magenta and Bright White
- Multiple Pre-programmed Modes:
 - 1) Chase RGB
 - 2) Fade RGBCMY
 - 3) Chase BGR
- Day-Night Sensor
- Wall Mounting Bracket
- Red, Green & Blue LEDs
- Tempered Safety Glass
- 5m Connection Cable
- Dimmable
- **1 Year Warranty!**



ACCESSORIES

SLDY-CON



"Y" connector to
allow multiple light
connections to one
Solar Panel

SLDFL-EXTCABLE



10m Extension
Cable to suit
both 10W and
30W Flood
Light models

Solar Panel Sold Separately Refer to our "SOLAR PANEL SELECTION CHART"
Refer to "UNDERSTANDING YOUR REMOTE" pages for more operational information

