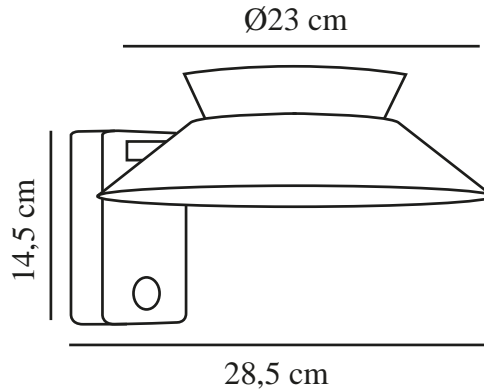


JUSTINA SOLAR | WALL LIGHT | ANTHRACITE

2418071050

nordlux®



Voltage (V): 3,7 Volt
IP degree: IP44
Class (Class 1, Class 2, Class 3):
Class 3 (12V)
Socket type: Solar LED – Non-
replaceable light source

Primary material: Metal
Secondary material: Plastic
Suitable for Seaside: False
Colour: Anthracite

Height (cm) : 14.5
Shade Diameter (cm): 23
Projection (cm): 28.5
EAN: 5704924017551
TUN: 2366800
Item Number: 2418071050
Pcs Per Master Carton: 3

Sales Box Height (cm): 32
Sales Box Width(cm): 29.5
Sales Box Depth (cm): 15.5
Sales Box Volume m³ : 0.0146
Product net weight (kg): 0.9

Brightness of light (Lumen): 400
Colour temperature (Kelvin): 3000
Ra-value : 80
Lifetime (hours): 25000
Battery lasting time for each
lumen: 60 activations
Battery recharging 0%-100% (h):
6
Energy class: Exempt
Actual watt (W): 5

- Solar charged • Motion sensor turns light on • Easy installation with no cables needed
- Dark Sky Protection • Long LED lifespan (25,000 hours)

The solar-powered Justina series by Danish design duo Says Who has a round, classic design with a large light surface that lights up automatically when the sensor detects motion. Perfect for placing along the facade of your house or next to your front door to create visibility when you get home – without having to fumble for a light switch. Easy installation with no cables needed.