

Tetra



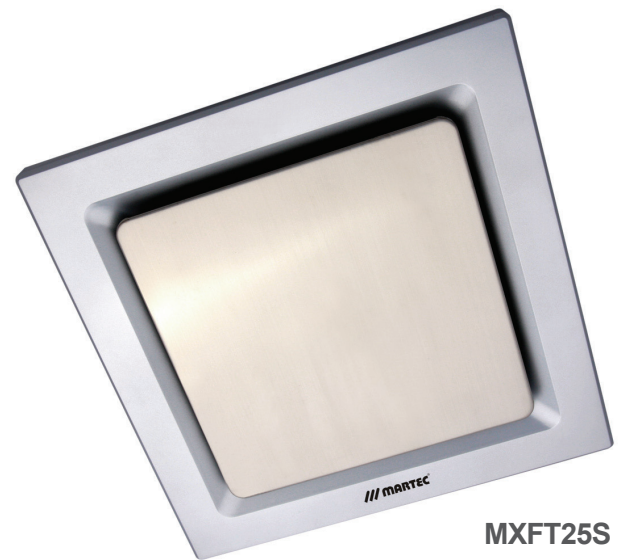
Tetra

The Tetra Exhaust fan incorporates modern, sleek design with a powerful 240 cubic metre per hour extraction fan. Perfect for small bathroom spaces.

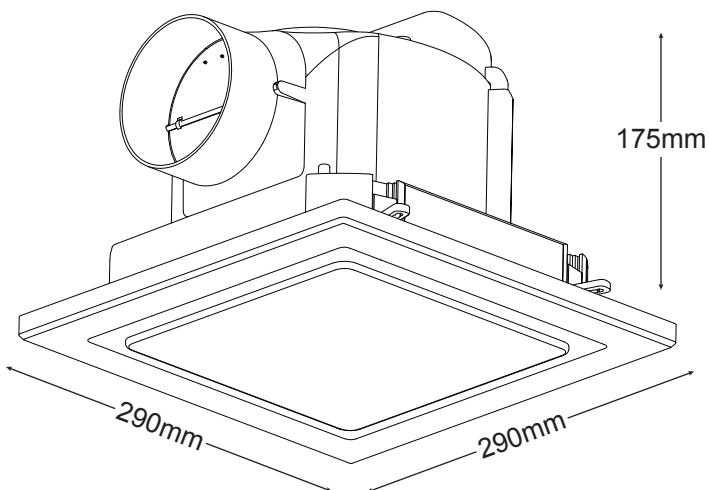


FEATURES

- /// 3 year replacement warranty
- /// Excellent airflow 240 m³ per hour
- /// Long life ball bearing motor
- /// Quiet operation
- /// Turbo fan blade
- /// Side ducted outlet (100mm diameter, ducting not included)
- /// Draft stopper built into side ducting
- /// Removable grill
- /// Available in both white or silver finish



DIAGRAM



CUT OUT SIZE	245mm x 245mm
GRILL SIZE	290mm x 290mm

Minimum ceiling depth of 180mm is required