

FORTRESS



Fortress Twin Spot Sensor 5000K

Martec's Fortress Twin Spot with Sensor exterior light provides exceptional light coverage thanks to a state-of-the-art COB LED chip and an incredible sensor, at low energy costs. The twin spot Fortress with security sensor provides exceptional light coverage with two articulating arms, and a sensor with detection range of 12 metres and 180 degree coverage.



FEATURES

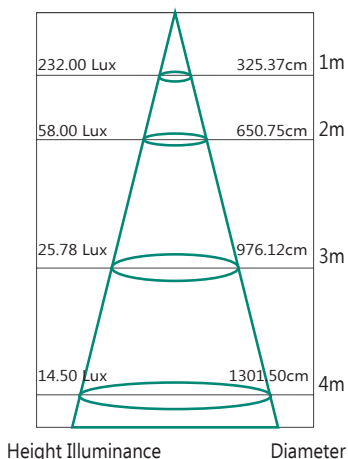
- /// Long life energy saving LED
- /// Available in a durable brushed nickel, white or matt black
- /// 180 degree, 12m detection security motion sensor
- /// Twin COB LED spot light
- /// Easy to adjust illumination time-out
- /// High quality aluminium frame acts as heat-sink
- /// Modern, architectural outdoor landscape lighting
- /// Sleek design seamlessly integrates into house exterior
- /// IP54 rating for outdoor environments
- /// 1 Year replacement warranty

TECHNICAL INFORMATION

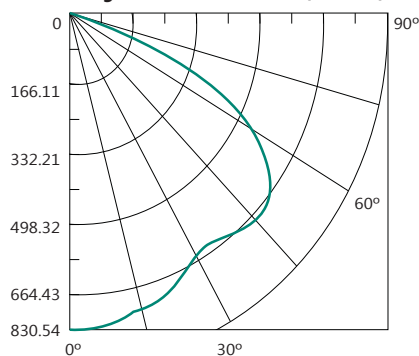
Power: 30W (2 x 15W)
CCT: 5000K (Cool White)
Lumens: 2200 lm (total lumens for both lamps)
Beam Angle: 120°
Sensor Angle: 180°
Sensor Range: 12 metres

DIAGRAMS

Lux Distance Curve



Light Distribution Curve (Unit: cd)



MLXF502BS



MLXF502WS



MLXF502MS

