

# FORTRESS



## Fortress Spot 5000K

Martec's Fortress Spot exterior light provides exceptional light coverage thanks to a state-of-the-art COB LED chip at low energy costs. The Fortress Spot LED has an articulating arms, with a highly efficient COB LED, and the added benefit of being IP65 rated to survive the harshest outdoor environments.



### FEATURES

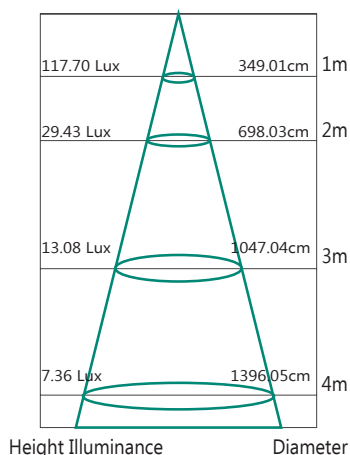
- /// Long life energy saving LED
- /// Available in a durable brushed nickel, white or matt black
- /// Single COB LED spot light
- /// High quality aluminium frame acts as heat-sink
- /// Modern, architectural outdoor landscape lighting
- /// Sleek design seamlessly integrates into house exterior
- /// IP65 rating for outdoor environments
- /// 3 Year replacement warranty

### TECHNICAL INFORMATION

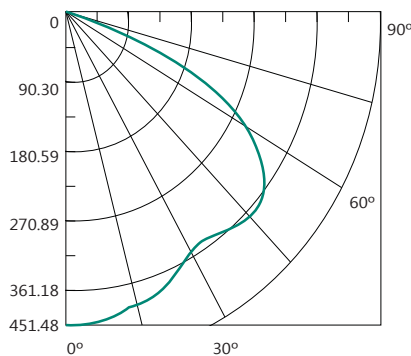
**Power:** 15W  
**CCT:** 5000K (Cool White)  
**Lumens:** 1100 lm  
**Beam Angle:** 120°

### DIAGRAMS

Lux Distance Curve



Light Distribution Curve (Unit: cd)



MLXF501M



MLXF501B



MLXF501W

