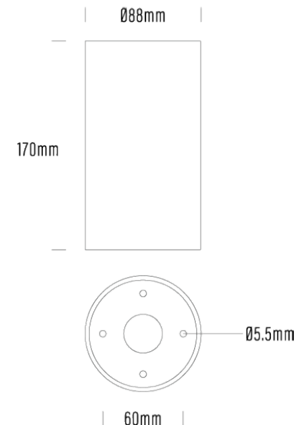


Surface Mount Downlight



SPECIFICATIONS

| | |
|-----------------------|-------------------------|
| Product Code | AQL-880 |
| Family | LumenaPro |
| Construction Material | CNC Machined Aluminium |
| Cable | Terminal Block |
| IP Rating | IP65 |
| Warranty | 7 Year Aqualux Warranty |

CONFIGURED OPTIONS

| | |
|----------------|------------------------|
| Variant Code | AQL-880-A2B0203060T |
| Body Colour | Black Ace |
| Control Gear | 24V DC |
| Rated Power | 20W |
| Nominal Lumens | 2500 lm |
| CCT / Colour | 3000K / 500mA |
| Optical | 60 |
| CRI | 90 |
| Other | Terminal Block |
| Dimming | 3-wire PWM 10V Dimming |

INTRODUCTION

The AQL-880 is an advanced, highly configurable surface mount down light for use in architectural and commercial applications.

Featuring integrated DALI, 24V SELV or Remote control gear options along with choices of Ultra Low Glare or High Efficiency reflector optics, the AQL-880 is also available in any Dulux powder coat finish for the ultimate in project specification flexibility. RGBW and speciality sources such as 98CRI and 2200K are also available.

The AQL-880 is 100% designed and manufactured in Sydney, Australia.



1300 662 644
sales@aqualux.com.au