

316 Stainless Steel Cover DIY LED Deck Lights

- DIY deck light
- Aluminium body with stainless steel 316 cover
- Max 15 fittings per run
- Face diameter: 38mm
- Each single light with 500mm rubber cable
- IP rating: IP67
- Not suitable for in-ground installation

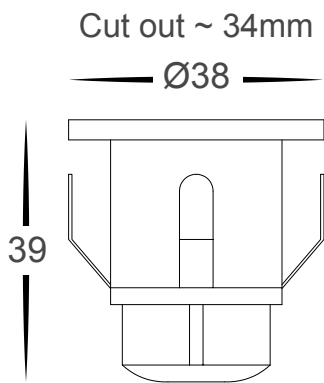



IMAGE	PART NUMBER	COLOUR TEMP	OUTPUT	POWER	INCLUDED GLOBES
	HV2833B	Blue	NA	12v DC LED 0.6w	Built-in 0.6w LED
	HV2833C	Cool white, 5500k	30lm	12v DC LED 0.6w	Built-in 0.6w LED
	HV2833W	Warm white, 3000k	25lm	12v DC LED 0.6w	Built-in 0.6w LED

All low voltage products that specify LED or are supplied with a 12v DC LED globe must be used with a suitable LED driver, refer to pages (185 - 206)
Lumen output measured at source. All globes supplied with fittings are non dimmable. If you require 240v dimmable globes refer to pages (257 - 258)