

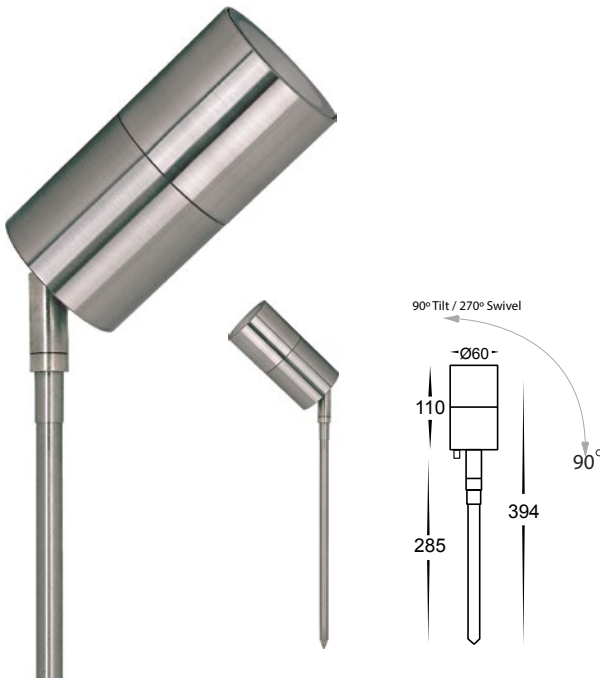
316 Stainless Steel Garden Spike Lights



- Single adjustable spike spotlight
- Stainless steel 316 marine grade
- Internal cable
- 405mm spike length
- 2m reinforced cable
- Compatible with 10w MR16 LED globe
- IP rating: IP65

IMAGE	PART NUMBER	COLOUR TEMP	OUTPUT	POWER	INCLUDED GLOBES
	HV1407C	Cool white, 6000k	300lm	12v DC LED 5w	5w MR16 LED globe
	HV1407W	Warm white, 3000k	250lm	12v DC LED 5w	5w MR16 LED globe

Stainless Steel Garden Spike Lights



- Single Adjustable Spike Light
- High grade 304 stainless steel
- 285mm spike length
- Compatible with 10w MR16 LED globe
- IP Rating: IP54

IMAGE	PART NUMBER	COLOUR TEMP	OUTPUT	POWER	INCLUDED GLOBES
	HV1409C	Cool white, 6000k	300lm	12v DC LED 5w	5w MR16 LED globe
	HV1409W	Warm white, 3000k	250lm	12v DC LED 5w	5w MR16 LED globe

All low voltage products that specify LED or are supplied with a 12v DC LED globe must be used with a suitable LED driver, refer to pages (185 - 206)
Lumen output measured at source. All globes supplied with fittings are non dimmable. If you require 240v dimmable globes refer to pages (257 - 258)