

316 Stainless Steel Garden Spike Lights

- Single adjustable spike spotlight
- Stainless steel 316 marine grade
- Internal cable
- 1000mm spike length
- 2m reinforced cable
- Compatible with 10w MR16 LED globe
- IP rating: IP65



IMAGE	PART NUMBER	COLOUR TEMP	OUTPUT	POWER	INCLUDED GLOBES
	HV1403C	Cool white, 6000k	300lm	12v DC LED 5w	5w MR16 LED globe
	HV1403W	Warm white, 3000k	250lm	12v DC LED 5w	5w MR16 LED globe

316 Stainless Steel Garden Spike Lights

- Double adjustable spike spotlight
- Stainless steel 316 marine grade
- Internal cable
- 1000mm spike length
- 2m reinforced cable
- Compatible with 10w MR16 LED globes
- IP rating: IP65

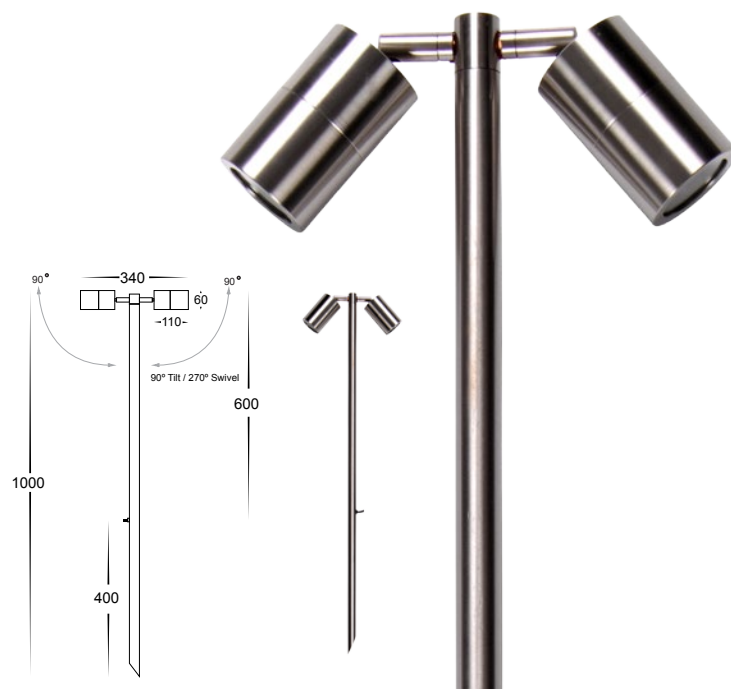


IMAGE	PART NUMBER	COLOUR TEMP	OUTPUT	POWER	INCLUDED GLOBES
	HV1405C	Cool white, 6000k	2x 300lm	12v DC LED 10w	2x 5w MR16 LED globes
	HV1405W	Warm white, 3000k	2x 250lm	12v DC LED 10w	2x 5w MR16 LED globes

All low voltage products that specify LED or are supplied with a 12v DC LED globe must be used with a suitable LED driver, refer to pages (185 - 206)
Lumen output measured at source. All globes supplied with fittings are non dimmable. If you require 240v dimmable globes refer to pages (257 - 258)