

# Matt White Double Adjustable Spot Lights

- Double adjustable wall pillar light
- Aluminium poly powder coated white
- 90° Tilt & 270° Swivel on both heads
- Includes a matching aluminium backing plate
- High output reflector to maximise light
- IP rating: IP65

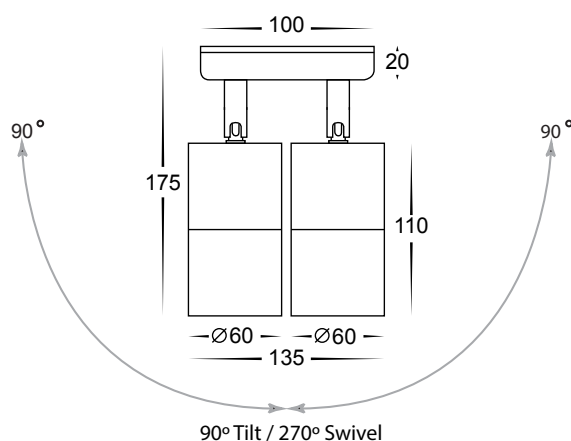


IMAGE	PART NUMBER	COLOUR TEMP	OUTPUT	POWER	INCLUDED GLOBES
	<b>HV1335C</b>	Cool white, 6000k	2x 500lm	240v LED 20w	2x 10w GU10 LED globes
	<b>HV1335W</b>	Warm white, 3000k	2x 460lm	240v LED 20w	2x 10w GU10 LED globes
	<b>HV1336</b>	NA	NA	240v GU10 2x35w max	Not supplied with globes
	<b>HV1337GU10C</b>	Cool white, 6000k	2x 300lm	240v LED 10w	2x 5w GU10 LED globes
	<b>HV1337GU10W</b>	Warm white, 3000k	2x 250lm	240v LED 10w	2x 5w GU10 LED globes
	<b>HV1337MR16C</b>	Cool white, 6000k	2x 300lm	12v DC LED 10w	2x 5w MR16 LED globes
	<b>HV1337MR16W</b>	Warm white, 3000k	2x 250lm	12v DC LED 10w	2x 5w MR16 LED globes

240v dimmable globes cannot be used when connected to either a sensor or photoelectric cell.  
All low voltage products that specify LED or are supplied with a 12v DC LED globe must be used with a suitable LED driver, refer to pages (185 - 206)  
Lumen output measured at source. All globes supplied with fittings are non dimmable. If you require 240v dimmable globes refer to pages (257 - 258)