

# Titanium Single Adjustable Spot Lights



- Single adjustable wall pillar light
- Titanium coloured aluminium
- 90° Tilt & 270° Swivel
- Includes a matching aluminium backing plate
- High output reflector to maximise light
- IP rating: IP65

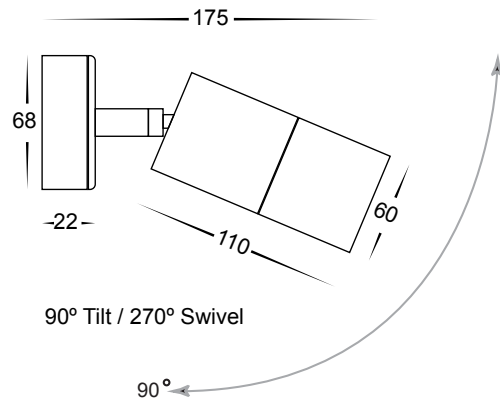






IMAGE	PART NUMBER	COLOUR TEMP	OUTPUT	POWER	INCLUDED GLOBES
	<b>HV1285C</b>	Cool white, 6000k	500lm	240v LED 10w	10w GU10 LED globe
	<b>HV1285W</b>	Warm white, 3000k	460lm	240v LED 10w	10w GU10 LED globe
	<b>HV1286</b>	NA	NA	240v GU10 35w max	Not supplied with globe
	<b>HV1287GU10C</b>	Cool white, 6000k	300lm	240v LED 5w	5w GU10 LED globe
	<b>HV1287GU10W</b>	Warm white, 3000k	250lm	240v LED 5w	5w GU10 LED globe
	<b>HV1287MR16C</b>	Cool white, 6000k	300lm	12v DC LED 5w	5w MR16 LED globe
	<b>HV1287MR16W</b>	Warm white, 3000k	250lm	12v DC LED 5w	5w MR16 LED globe

240v dimmable globes cannot be used when connected to either a sensor or photoelectric cell.  
All low voltage products that specify LED or are supplied with a 12v DC LED globe must be used with a suitable LED driver, refer to pages (185 - 206)  
Lumen output measured at source. All globes supplied with fittings are non dimmable. If you require 240v dimmable globes refer to pages (257 - 258)