

Matt Silver Single Adjustable Spot Lights



- Single adjustable wall pillar light
- Aluminium poly powder coated silver
- 90° Tilt & 270° Swivel
- Includes a matching aluminium backing plate
- High output reflector to maximise light
- IP rating: IP65

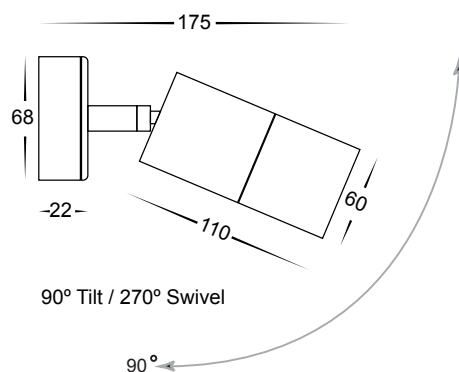


IMAGE	PART NUMBER	COLOUR TEMP	OUTPUT	POWER	INCLUDED GLOBES
	HV1245C	Cool white, 6000k	500lm	240v LED 10w	10w GU10 LED globe
	HV1245W	Warm white, 3000k	460lm	240v LED 10w	10w GU10 LED globe
	HV1246	NA	NA	240v GU10 35w max	Not supplied with globe
	HV1247GU10C	Cool white, 6000k	300lm	240v LED 5w	5w GU10 LED globe
	HV1247GU10W	Warm white, 3000k	250lm	240v LED 5w	5w GU10 LED globe
	HV1247MR16C	Cool white, 6000k	300lm	12v DC LED 5w	5w MR16 LED globe
	HV1247MR16W	Warm white, 3000k	250lm	12v DC LED 5w	5w MR16 LED globe

240v dimmable globes cannot be used when connected to either a sensor or photoelectric cell. All low voltage products that specify LED or are supplied with a 12v DC LED globe must be used with a suitable LED driver, refer to pages (185 - 206) Lumen output measured at source. All globes supplied with fittings are non dimmable. If you require 240v dimmable globes refer to pages (257 - 258)