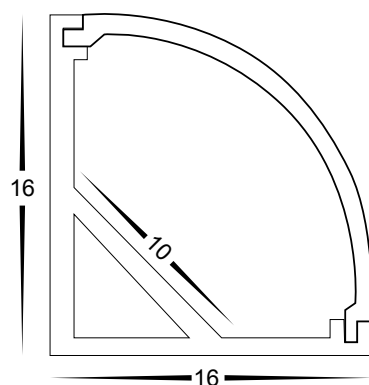


Corner LED Profile

- Aluminium profile for LED strip
- 90 degree corner profile
- Opal pc diffuser
- Supplied with 2 x end caps & 2 x mounting clips per metre



| PART NUMBER | Description | IP Rating | Max Length |
|--------------------|--|-----------|------------|
| HV9691-1616 | 16mm x 16mm 90 degree corner profile with opal pc diffuser | IP20 | 3 metres |

All low voltage products that specify LED or are supplied with a 12v DC LED globe must be used with a suitable LED driver, refer to pages (185 - 206)
Lumen output measured at source. All globes supplied with fittings are non dimmable. If you require 240v dimmable globes refer to pages (257 - 258)