

PRODUCT SPECIFICATIONS

Name: Niche

Material: Aluminium

Colour: Black or White

IP Rating: IP44

Cut-out: 38mm

Lamp Base: Built in LED

CRI: ≥80

Wiring: Parallel

Dimmable: No

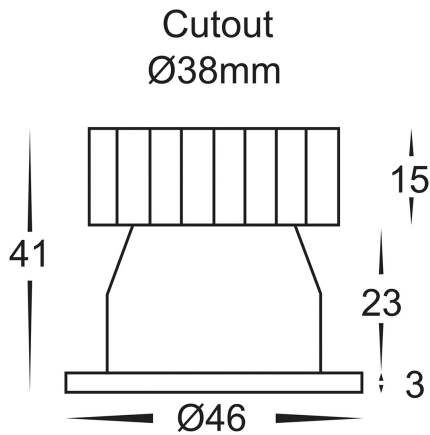
Warranty: 2 years replacement**



HV5701-BLK



HV5701-WHT



PART NUMBER	COLOUR TEMP	LUMENS*	INPUT VOLTAGE	BEAM ANGLE	INCLUDED GLOBES
HV5701C-BLK	5500K	270lm	240v AC Supplied with Driver	45°	Built in 3w LED
HV5701W-BLK	3000K	240lm	240v AC Supplied with Driver	45°	Built in 3w LED
HV5701C-WHT	5500K	270lm	240v AC Supplied with Driver	45°	Built in 3w LED
HV5701W-WHT	3000K	240lm	240v AC Supplied with Driver	45°	Built in 3w LED

* Lumen output measured at source

** See Warranty Terms and Conditions for more information