

# PRIME Black Fixed Deep LED Downlight



Lighting by Havit

## ORDER CODES:

- **HV5513C-BLK** (Cool White, 6000k)
- **HV5513W-BLK** (Warm White, 3000k)

## PRODUCT SPECIFICATIONS:

**Input Voltage:** 240v AC

**Power (w):** 12w

**Material:** Aluminium

**Colour:** Matt Black

**IP Rating (IP):** IP44

**LED Chip Type:** COB

**Cut Out:** 76mm

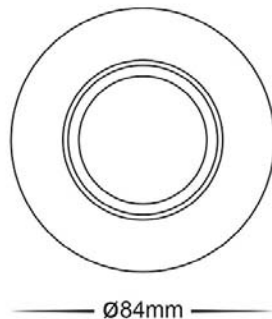
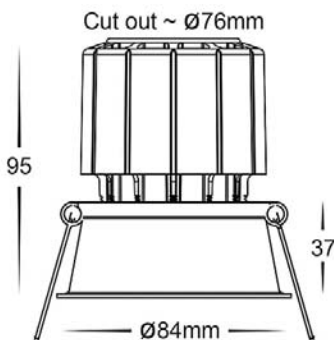
**Dimmable:** Yes ( using HV9625 )

**Lumens (lm):** Cool White 6000k, 1000lm\*  
Warm White 3000k, 980lm\*

**Beam Angle:** 45 degrees

**Lamp Base:** Built in LED

**Warranty:** 3 Years Replacement Warranty\*\*



For more information contact Havit Lighting

\* Lumens measured at source

\*\* See Warranty Terms and Conditions for more information

ADDRESS:  
143 Beauchamp Road  
Matraville NSW 2036  
Australia

Tel: 02 9381 8300  
Fax: 02 9666 8881  
Email: sales@havit.com.au  
web: www.havit.com.au