

## PRODUCT SPECIFICATIONS

**Name:** Elite

**Material:** Aluminium

**Colour:** Silver or Black

**IP Rating:** IP67

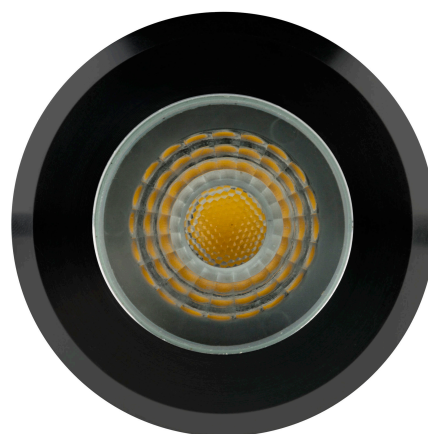
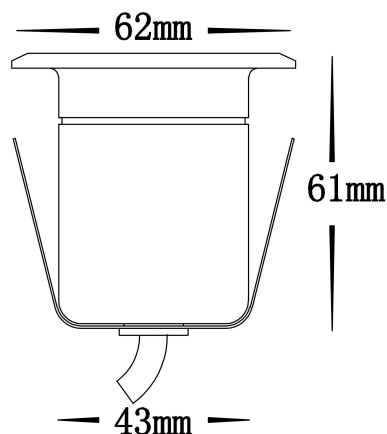
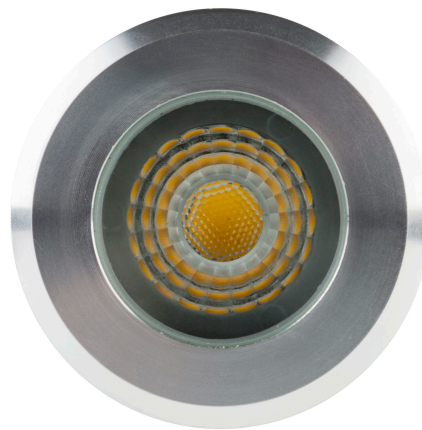
**Lamp Base:** Built in LED

**CRI:** ≥80

**Wiring:** Parallel

**Dimmable:** No

**Warranty:** 2 years replacement\*\*



PART NUMBER	COLOUR TEMP	LUMENS	INPUT VOLTAGE	BEAM ANGLE	INCLUDED GLOBES
HV2882C-SLV	5500K	450lm	12v DC	36°	5w Built in LED
HV2882W-SLV	3000K	400lm	12v DC	36°	5w Built inLED
HV2882C-BLK	5500K	450lm	12v DC	36°	5w Built in LED
HV2882W-BLK	3000K	400lm	12v DC	36°	5w Built inLED

Must be used with suitable 12v DC LED driver

\* Lumen output measured at source

\*\* See Warranty Terms and Conditions for more information

For more information contact Havit Lighting

ADDRESS:  
143 Beauchamp Road  
Matraville NSW 2036  
Australia

Tel: 02 9381 8300  
Fax: 02 9666 8881  
Email: sales@havit.com.au  
web: www.havit.com.au