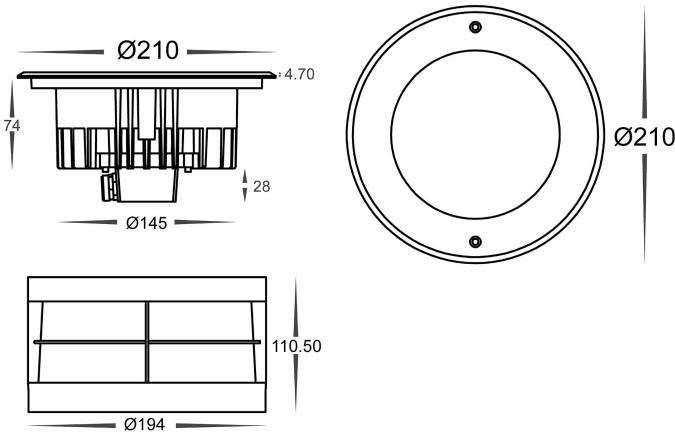


PRODUCT SPECIFICATIONS

- Name:** SPLIT
- Material:** 316 Stainless Steel + Aluminium
- Colour:** Stainless Steel
- Trafficable:** 1000kgs
- IP Rating:** IP67
- Lamp Base:** Built in LED
- CRI:** ≥80
- Wiring:** Parallel
- Dimmable:** No
- Warranty:** 2 years replacement**

NOTE: adequate drainage must be allowed when installed



PART NUMBER	COLOUR TEMP	LUMENS	INPUT VOLTAGE	BEAM ANGLE	INCLUDED GLOBES
HV1847C	5500K	1900lm	12v DC	6°	24w Built in LED
HV1847W	3000K	1600lm	12v DC	6°	24w Built in LED

Must be used with suitable 12v DC LED driver

* Lumen output measured at source

** See Warranty Terms and Conditions for more information

For more information contact Havit Lighting

ADDRESS:
143 Beauchamp Road
Matraville NSW 2036
Australia

Tel: 02 9381 8300
Fax: 02 9666 8881
Email: sales@havit.com.au
web: www.havit.com.au