

TOLDO 316 Stainless Steel Adjustable LED Inground Lights



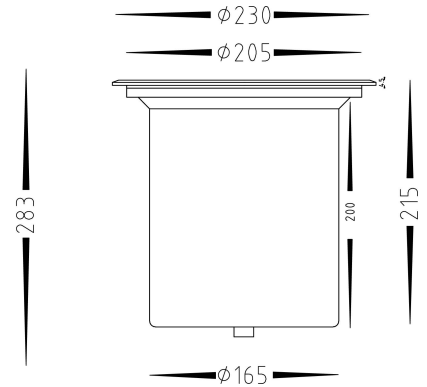
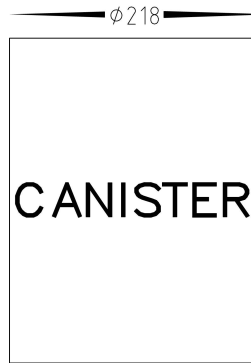
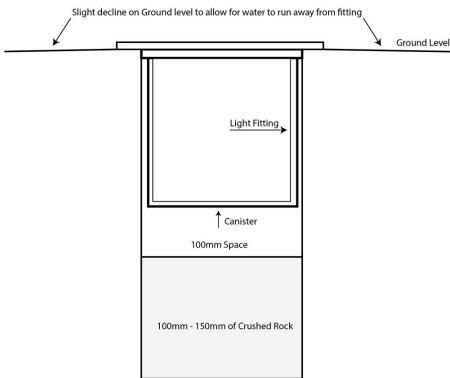
PRODUCT SPECIFICATIONS

- Name:** TOLDO
- Material:** 316 Stainless Steel face with Aluminium Body
- Colour:** Stainless Steel
- Trafficable:** 1000kgs
- Tilt:** 15°
- IP Rating:** IP67
- Lamp Base:** Built in LED
- CRI:** ≥80
- Wiring:** Parallel
- Dimmable:** No
- Warranty:** 2 years replacement**

NOTE: adequate drainage must be allowed when installed



Installation method for adequate drainage.



PART NUMBER	COLOUR TEMP	LUMENS	INPUT VOLTAGE	BEAM ANGLE	INCLUDED GLOBES
HV1829C	5500K	1800lm	24v DC	30°	Built in 20w LED
HV1829W	3000K	1600lm	24v DC	30°	Built in 20w LED

Must be used with suitable 24v DC LED driver

* Lumen output measured at source

** See Warranty Terms and Conditions for more information

For more information contact Havit Lighting

ADDRESS:
143 Beauchamp Road
Matraville NSW 2036
Australia

Tel: 02 9381 8300
Fax: 02 9666 8881
Email: sales@havit.com.au
web: www.havit.com.au