

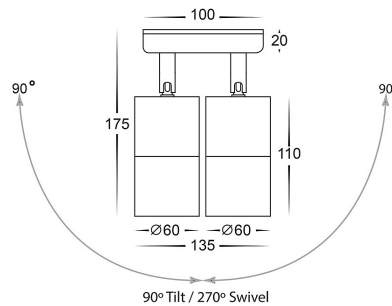
# Tivah Antique Brass

## Double Adjustable Spotlights



### PRODUCT SPECIFICATIONS

**Name:** Tivah  
**Material:** Solid Brass  
**Colour:** Antique Brass  
**IP Rating:** IP65  
**Lamp Base:** GU10 or MR16 **CRI:** ≥80  
**Wiring:** Parallel  
**Dimmable:** No  
**Warranty:** 2 years replacement\*\*



| PART NUMBER | COLOUR TEMP | LUMENS*   | INPUT VOLTAGE | BEAM ANGLE | INCLUDED GLOBES  |
|-------------|-------------|-----------|---------------|------------|------------------|
| HV1395C     | 5500K       | 2 x 500lm | 240v          | 60°        | 2 x 10w GU10 LED |
| HV1395W     | 3000K       | 2 x 460lm | 240v          | 60°        | 2 x 10w GU10 LED |
| HV1396      |             |           | 240v          |            |                  |
| HV1397GU10C | 5500K       | 2 x 300lm | 240v          | 120°       | 2 x 5w GU10 LED  |
| HV1397GU10W | 3000K       | 2 x 250lm | 240v          | 120°       | 2 x 5w GU10 LED  |
| HV1397MR16C | 5500K       | 2 x 300lm | 12v DC        | 120°       | 2 x 5w MR16 LED  |
| HV1397MR16W | 3000K       | 2 x 250lm | 12v DC        | 120°       | 2 x 5w MR16 LED  |

12v DC models must be used with suitable 12v DC LED Driver

\* Lumen output measured at source

\*\* See Warranty Terms and Conditions for more information

For more information contact Havit Lighting

ADDRESS:  
 143 Beauchamp Road  
 Matraville NSW 2036  
 Australia

Tel: 02 9381 8300  
 Fax: 02 9666 8881  
 Email: sales@havit.com.au  
 web: www.havit.com.au